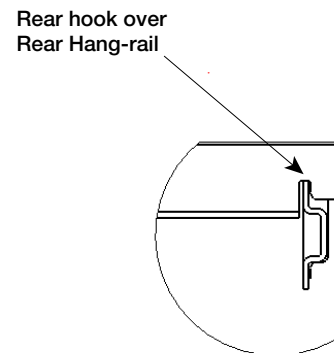
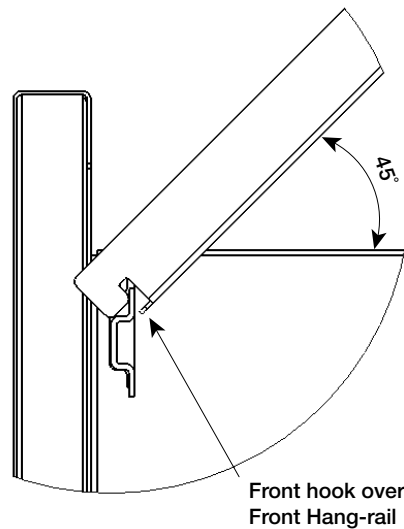
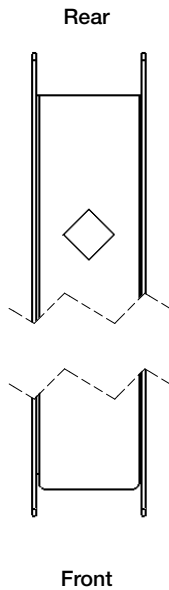
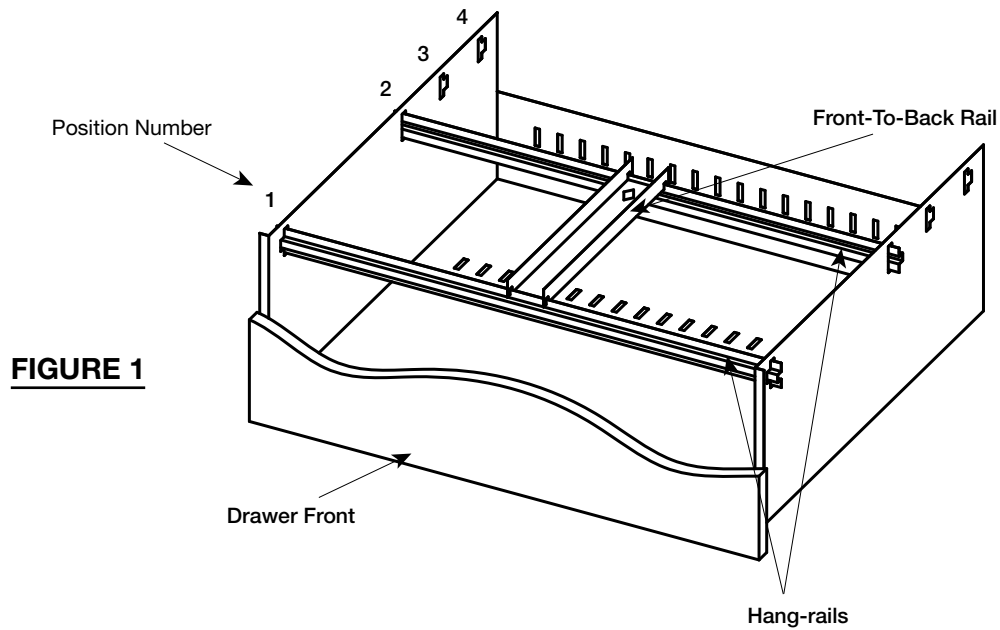


SOHO Lateral Front-To-Back Rail Installation



1. To install the Front-To-Back Rail, the Hang-rails must be in Positions 1 & 2 (FIGURE 1) and the drawer must be in the fully extended position.
2. Identify the front and rear of the Front-To-Back Rail by looking for the diamond shape hole (FIGURE 2). The diamond is installed to the rear of the drawer.
3. Raise the rear of the Front-To-Back Rail to approximately 45 degrees (FIGURE 3).
4. Fit the top edge of the front Hang-rail into the hook on the front of the Front-To-Back Rail (FIGURE 3).
5. Drop the rear of the Front-To-Back Rail until the rear hook is resting on the rear Hang-rail (FIGURE 4).
6. Position Front-To-Back Rail for each bank of hanging file folders. The side of the drawer should be used for the outermost side of hanging file folders.